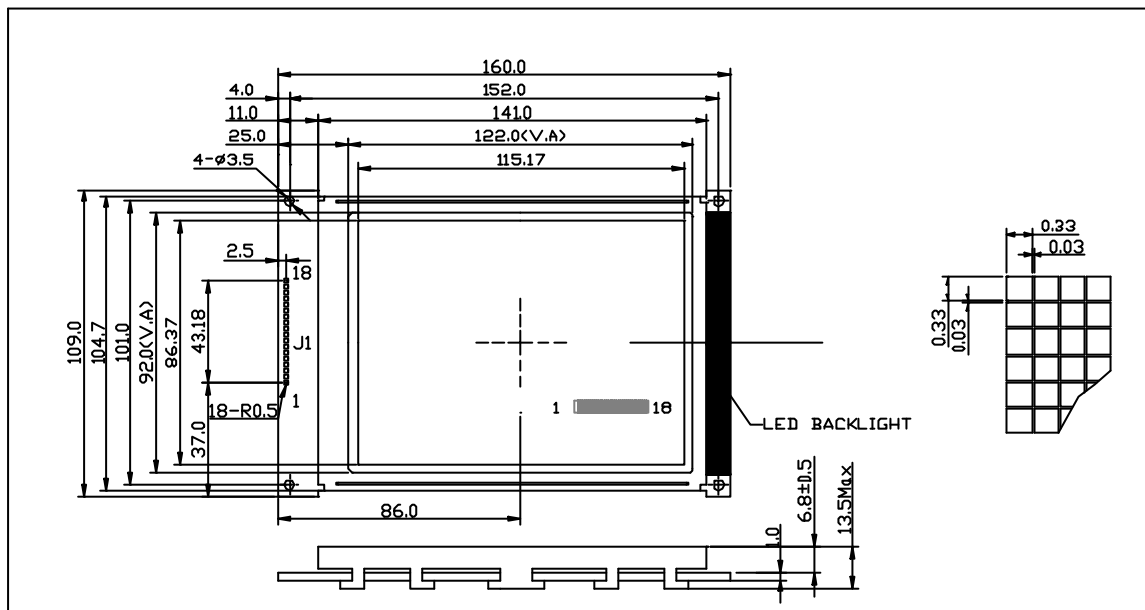


■ PHYSICAL DATA

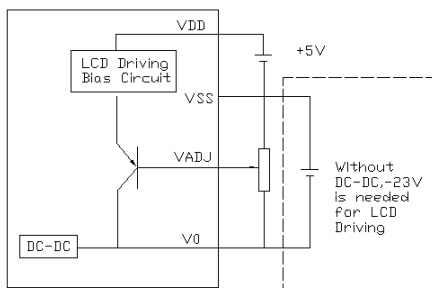
Item	Contents	Unit
LCD type	FSTN	---
LCD duty	1/240	---
LCD bias	1/17	---
Viewing direction	6	o'clock
Module size (W×H×T)	167.0 × 109.0 × 12MAX (6.57" × 4.29" × 0.47"MAX)	mm
Viewing area (W×H)	122.0 × 92.0 (4.8" × 3.62")	mm
Number of dots	320 × 240	dots
Dot size (W×H)	0.33 × 0.33 (0.013" × 0.013")	mm
Dot pitch (W×H)	0.36 × 0.36 (0.014" × 0.014")	mm

■ EXTERNAL DIMENSIONS

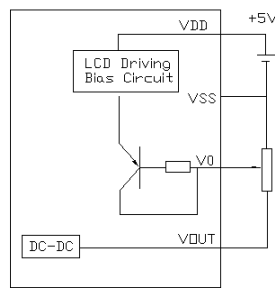


Power Supply

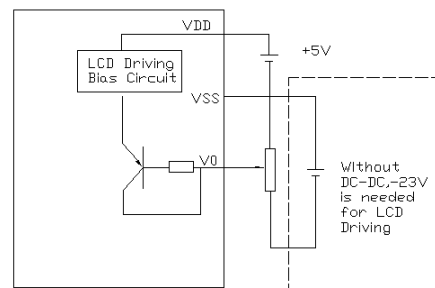
No Controller



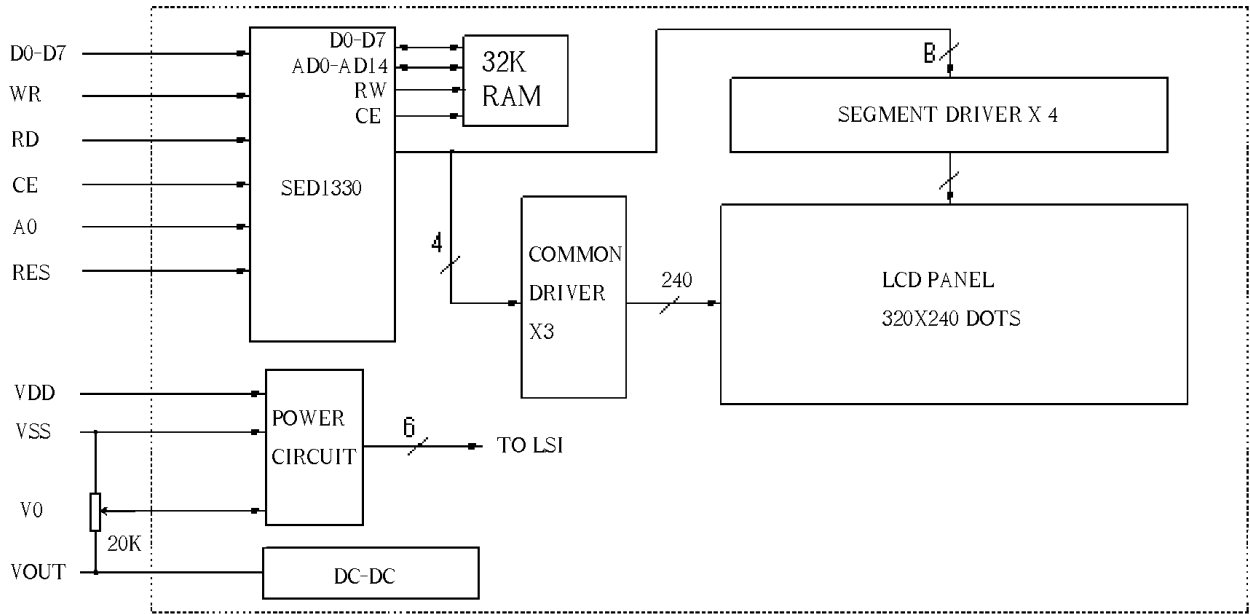
SED1330 Controller



SED1330 Controller



■ BLOCK DIAGRAM



■ OPERATING INSTRUCTIONS

Input signal Function

J1 (SED1335 Controller LED Side Backlight)

Pin No	Symbol	Description	
1	VSS	GND	
2	VDD	Supply voltage for logic	
3	V0	Supply voltage for LCD Contrast adjustment	
4	WR\	Write Signal	
5	RD\	Read Signal	
6	CS\	Chip select Signal	
7	A0	Data Type Selection	
8	RES\	Reset Signal	
9	DB0	Data BUS	
10	DB1	Data BUS	
11	DB2	Data BUS	
12	DB3	Data BUS	
13	DB4	Data BUS	
14	DB5	Data BUS	
15	DB6	Data BUS	
16	DB7	Data BUS	
17	LED+	LED Back light Power +5V	
18	VOUT	Power out (-20V), LCD Power supply	