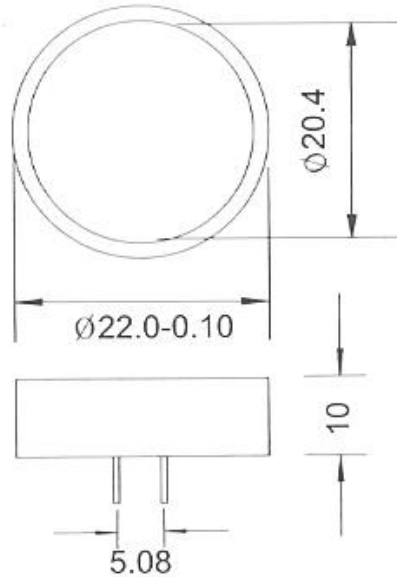


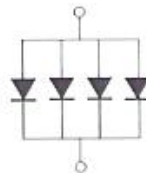


PACKAGE DIMENSION

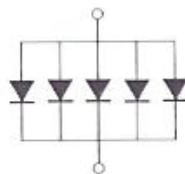
KPL-22R



PCB-A



PCB-B



Notes

- All dimensions are in millimeters (inches)
- Tolerance is $\pm 0.25(0.01)$ unless otherwise noted.
- Specifications are subject to change without notice.